

THIS DRAWING IS AN UNCONTROLLED COPY UNLESS STAMPED OTHERWISE

CONTRACTORS SHALL VERIFY JOINT DIMENSIONS BEFORE ANY JOINT COMMENCEMENT. ALL JOINT DIMENSIONS SHALL BE SUBMITTED TO THE SUPERINTENDENT AND MANUFACTURE SHALL NOT COMMENCE PRIOR TO THE RETURN OF DIMENSIONED SHOP DRAWINGS SIGNED BY THE CONSULTANT. FINISHED DIMENSIONS SHALL TAKE PRECEDENCE OVER SCALES. THIS DRAWING SHOULD BE READ IN CONJUNCTION WITH ALL RELEVANT CONTRACT SPECIFICATIONS AND DRAWINGS COPYRIGHT OF THIS DRAWING IS VESTED IN WARDLE.

General Notes ALL JOINERY TO REFER TO INTERIOR ELEVATIONS (AR100 SERIES)

18mm E1 MDF CARCASS THROUGHOUT UNLESS OTHERWISE NOTED.
ALL NON EXPOSED CARCASS TO BE MATCHING LAMINATE UNLESS OTHERWISE NOTED.

ALL NON EXPOSED CARCASS TO BE BLACK LAMINATE TO JOINERY RECEIVING TIMBER VENEER FINISH. REFER MATERIALS SCHEDULE [PL-05]

ALL NON EXPOSED CARCASS TO BE WHITE LAMINATE TO JOINERY RECEIVING STAINLESS STEEL CLADDING. REFER MATERIALS SCHEDULE [PL-01]

ALL EXPOSED EDGES TO TIMBER VENEER PANELS TO RECEIVE 3mm THK MATCHING SOLID EDGES UNLESS OTHERWISE NOTED.

SPLIT BATTENS TO BE 12mm UNLESS OTHERWISE NOTED.
APPLY MATCHING LAMINATE ABS EDGING TO LAMINATED BENCHTOPS, UNLESS OTHERWISE NOTED

REFER TO '1300 - MATERIALS SCHEDULE' FOR A DESCRIPTION OF THE MATERIAL CODES AS SHOWN ON THIS DRAWING. [TV-02]

REFER TO '1400 - FIXTURES, FITTINGS & EQUIPMENT SCHEDULE' FOR A DESCRIPTION OF THE FF&E CODES AS SHOWN ON THIS DRAWING. [EQ-02]

ALL JOINERY LOOKS TO BE [PA-02] UNLESS OTHERWISE NOTED.
REFER TO DRAWING AR7300 FOR MOUNTING HEIGHTS FOR ALL SERVICES FIXTURES, UNLESS OTHERWISE DIMENSIONED ON THE JOINERY ELEVATIONS.

ALL CORNER JUNCTIONS TO BE MITRED UNLESS OTHERWISE NOTED.
ALL UPHOLSTERY STITCHING TOO MATCH FABRIC COLOUR UNLESS OTHERWISE NOTED

DRAWINGS TO BE READ IN CONJUNCTION WITH AR1200 SERIES INTERNAL ARRANGEMENT PLANS TO COORDINATE FIXINGS INTO PARTITIONS WHERE NECESSARY

FS = FIXED SHELF
AS = ADJUSTABLE SHELF
FP = FIXED PANEL

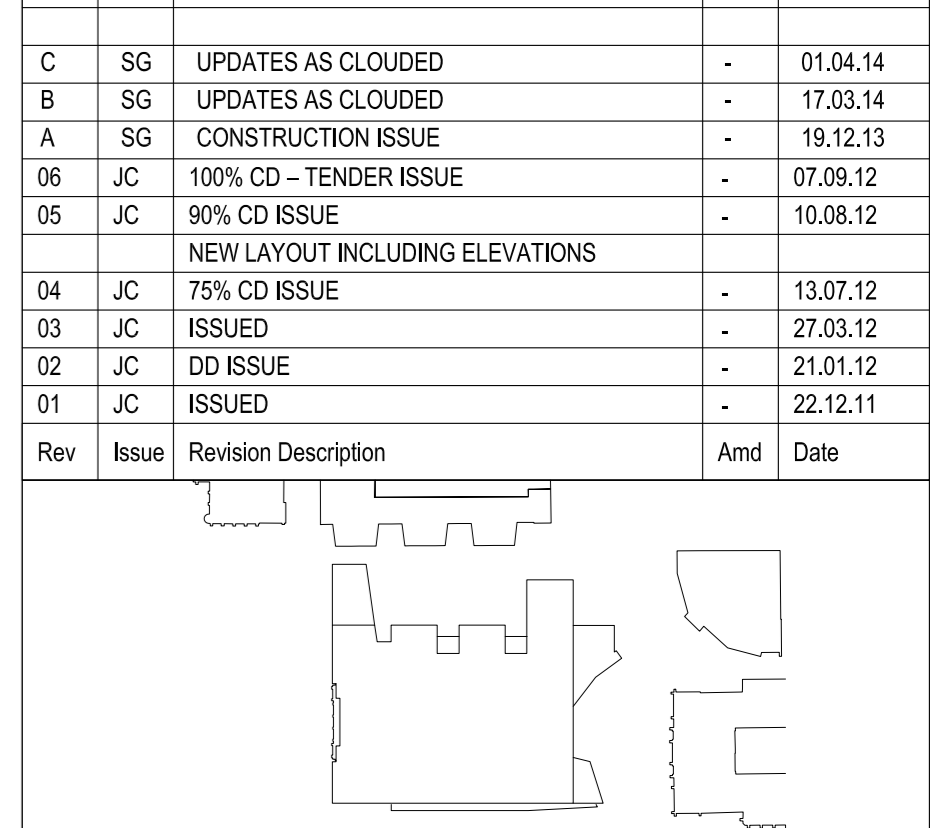
PJ = PANEL JOIN, MAXIMUM WIDTH 2mm
C.O.S = CHECK ON SITE - DIMENSIONS MUST BE VERIFIED ON SITE BY CONTRACTOR PRIOR TO COMMENCEMENT OF CONSTRUCTION.

NOM. = NOMINAL
TYP. = TYPICAL
SIM. = SIMILAR

MIR. = MIRROR
FCL = FINISHED CEILING LEVEL
FFL = FINISHED FLOOR LEVEL
SSL = STRUCTURAL SLAB LEVEL

C = CENTRELINE
DIRECTION OF GRAIN / LINSH

Rev	Issue	Revision Description	Amd	Date
C	SG	UPDATES AS CLOUDDED	-	01.04.14
B	SG	UPDATES AS CLOUDDED	-	17.03.14
A	SG	CONSTRUCTION ISSUE	-	19.12.13
06	JC	100% CD - TENDER ISSUE	-	07.09.12
05	JC	90% CD ISSUE	-	10.08.12
04	JC	75% CD ISSUE	-	13.07.12
03	JC	ISSUED	-	27.03.12
02	JC	DD ISSUE	-	21.01.12
01	JC	ISSUED	-	22.12.11



NADAAA
NADAAA
1520 Washington Street No.2 Boston Massachusetts 02118 USA
Telephone +1 617 442 2232 Facsimile +1 608 442 1417 Email nadan@nadaaa.com

John Wardle Architects
25 Rokeby Street, Collingwood Victoria 3066 Australia
Tel: +61 3 8662 0400 www.johnwardlearchitects.com
© 2014 John Wardle Architects ABN 83 006 814 268

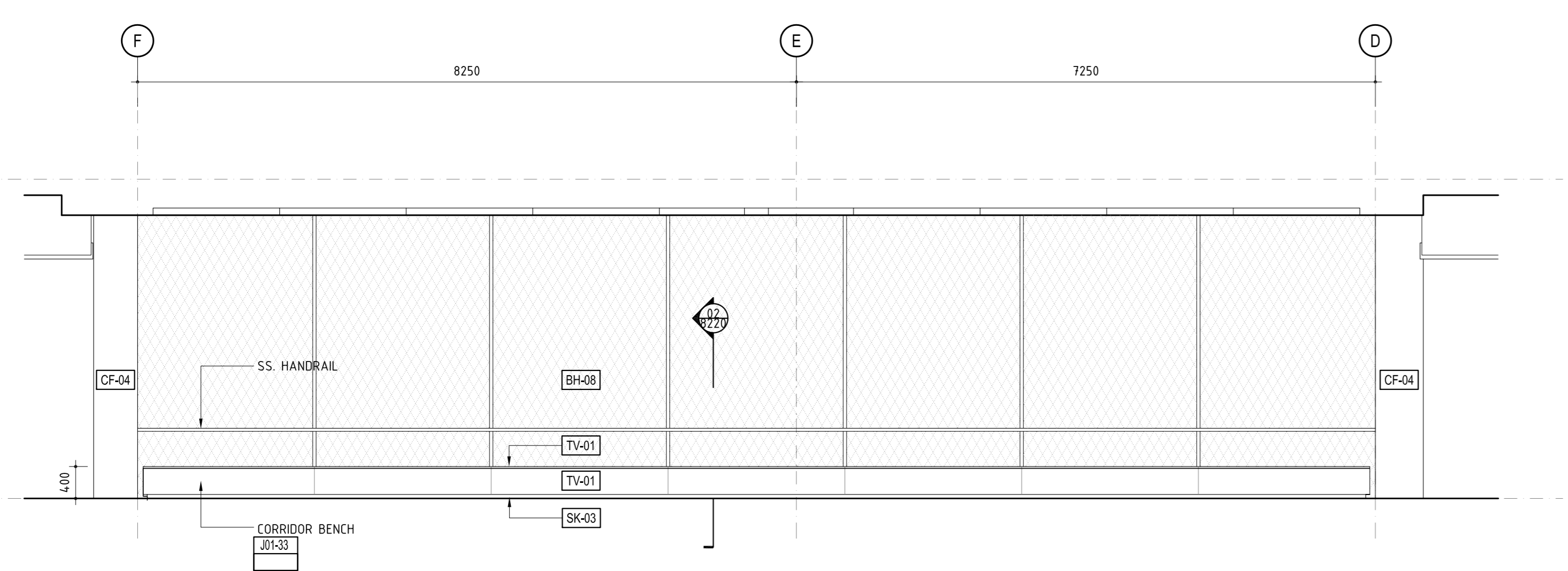
Client **University of Melbourne Parkville Campus**

Project **Faculty of Architecture Building and Planning**

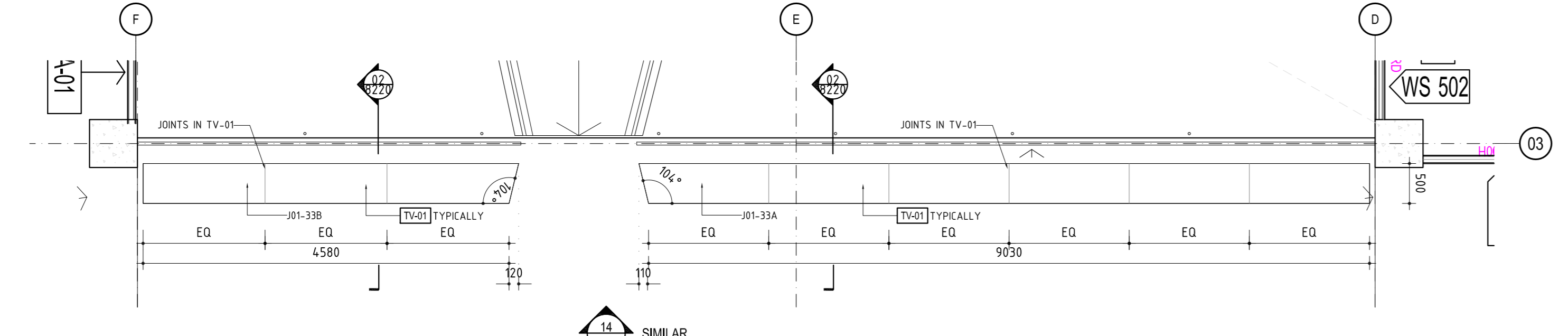
Title **JOINERY PLANS & ELEVATIONS L01**

Project No.	0913	Scale	1:50 @ A0
Drawing No.	AR8100	Revision	B
Date	MAR 2014	Drawn	JJ
		Co-Ord	AC
		Chk	SG

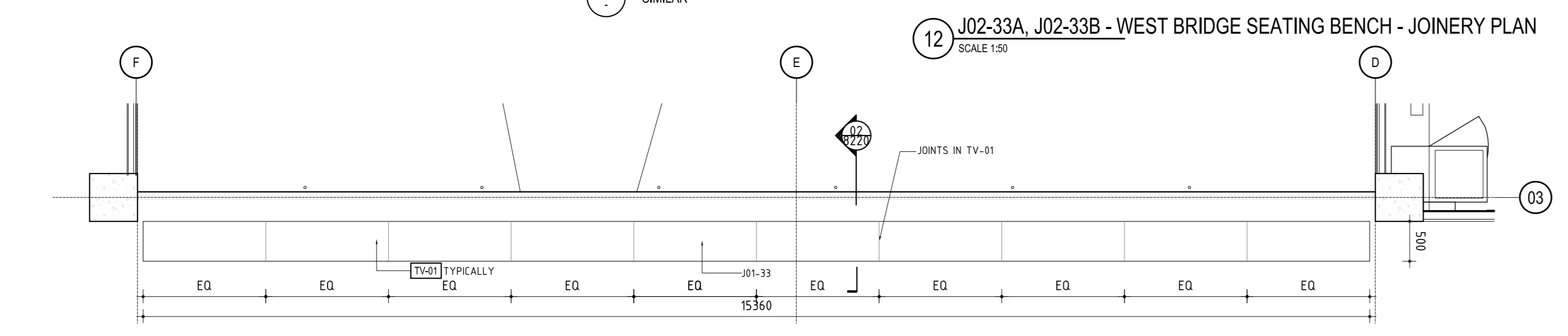
FILENAME - #####
FOR CONSTRUCTION



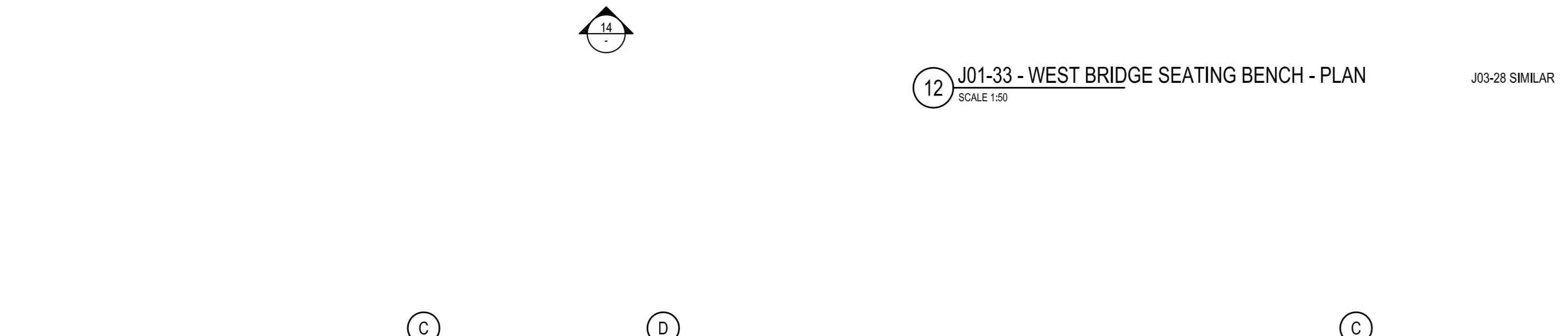
J01-33 - WEST BRIDGE SEATING BENCH - ELEVATION SCALE 1:50



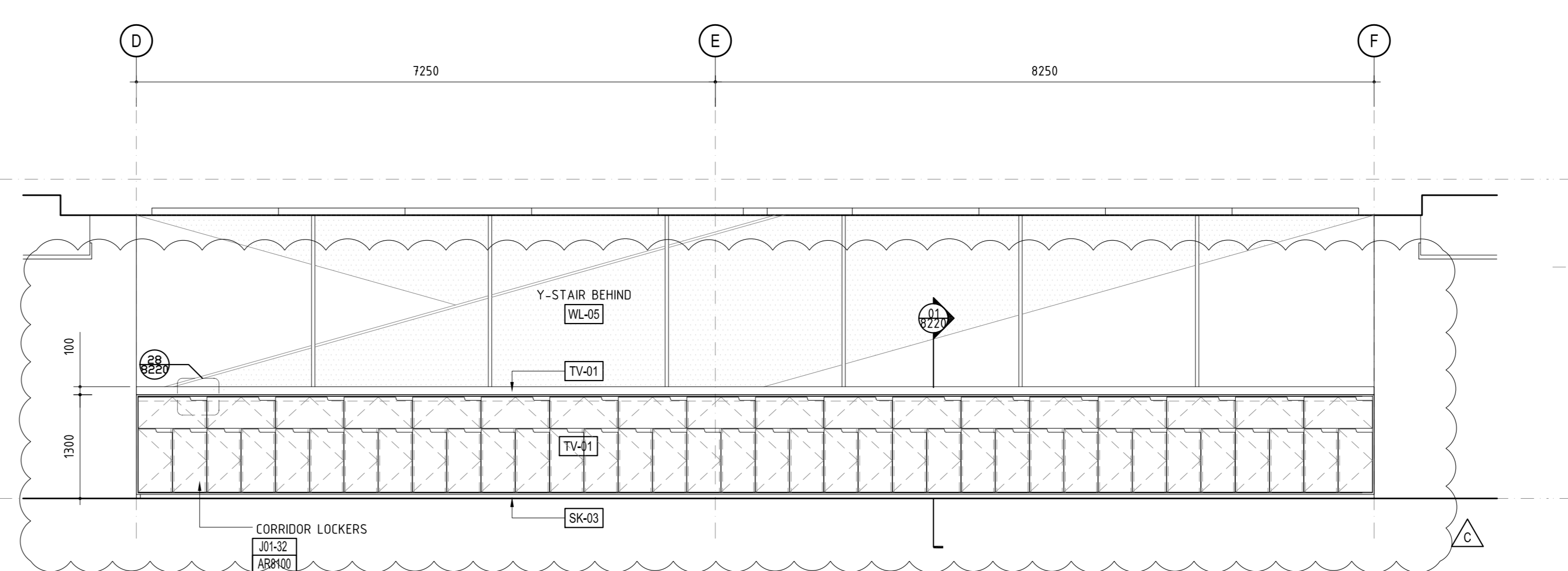
J01-33 - WEST BRIDGE SEATING BENCH - PLAN SCALE 1:50



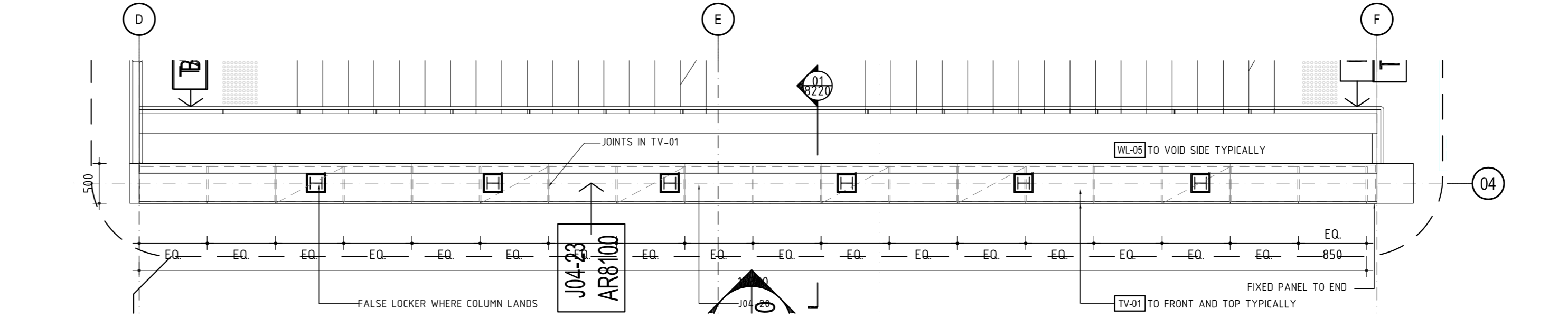
J02-33A, J02-33B - WEST BRIDGE SEATING BENCH - JOINERY PLAN SCALE 1:50



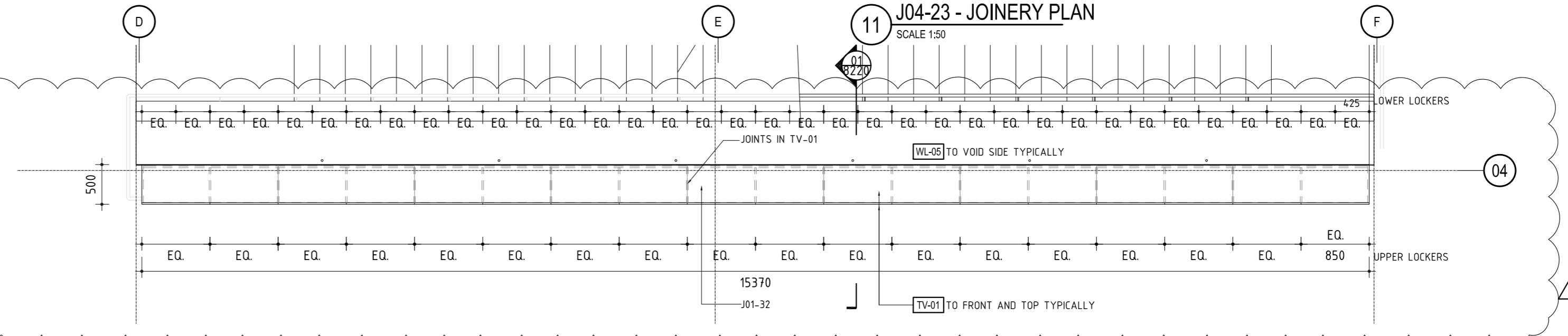
J02-33A, J02-33B - WEST BRIDGE SEATING BENCH - JOINERY PLAN SCALE 1:50



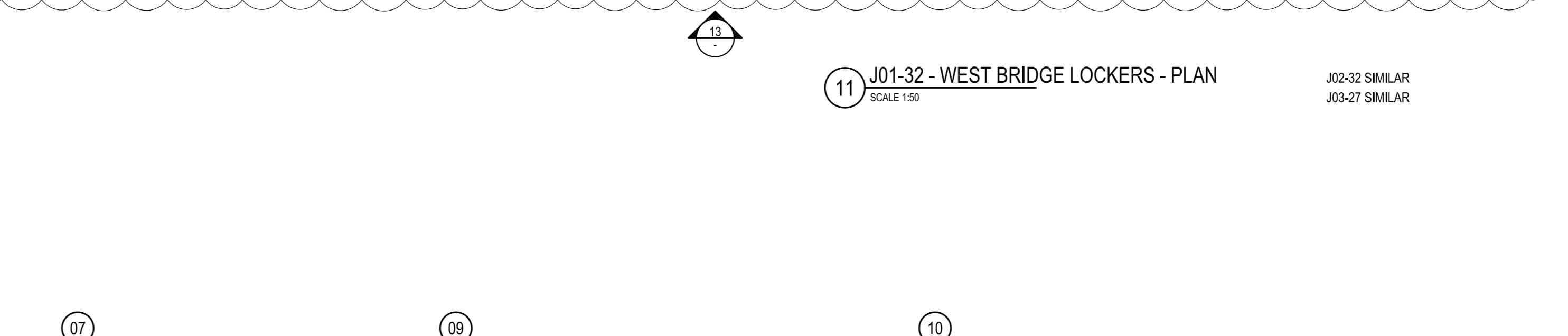
J01-32 - WEST BRIDGE LOCKERS - ELEVATION SCALE 1:50



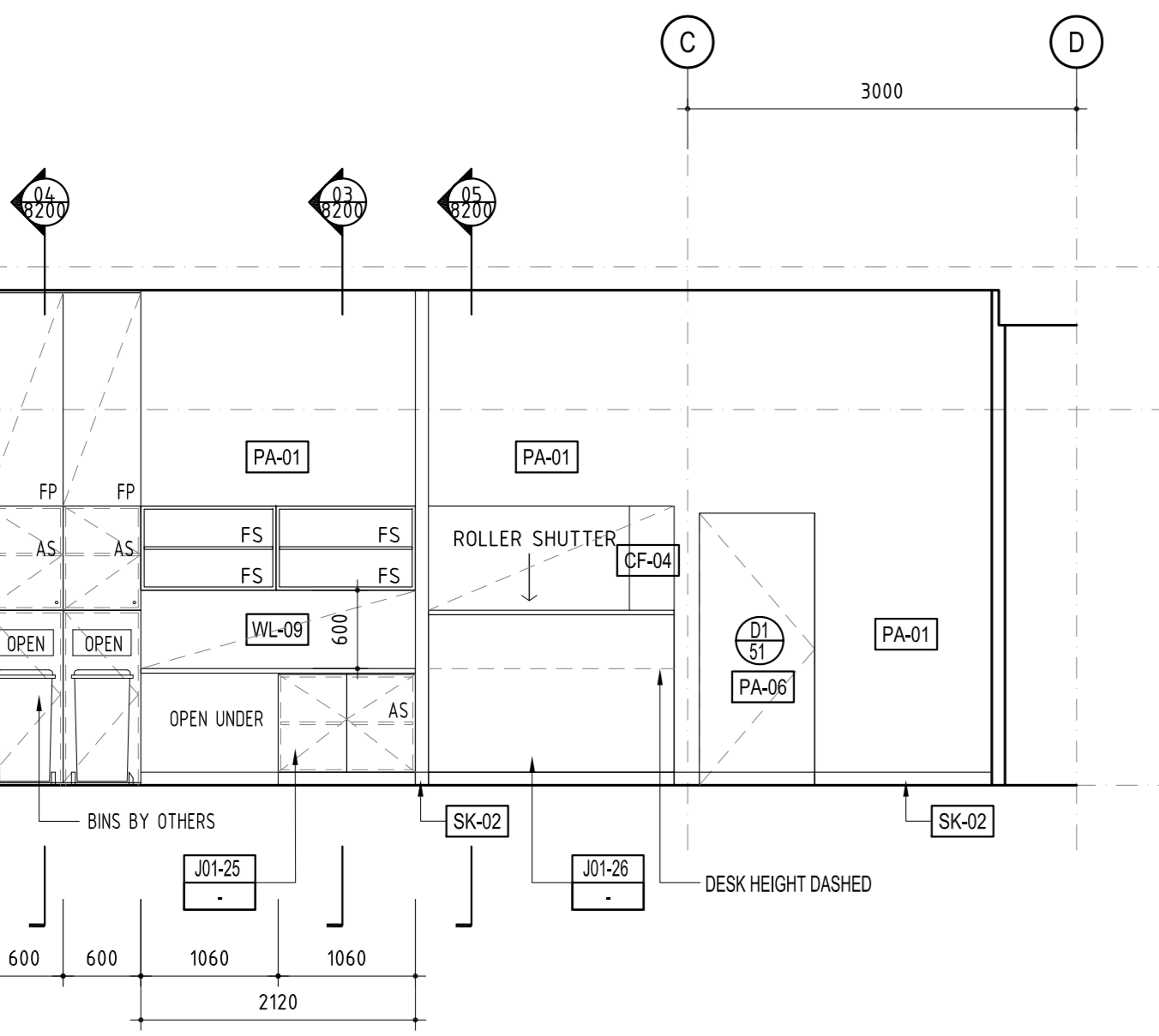
J01-32 - WEST BRIDGE LOCKERS - PLAN SCALE 1:50



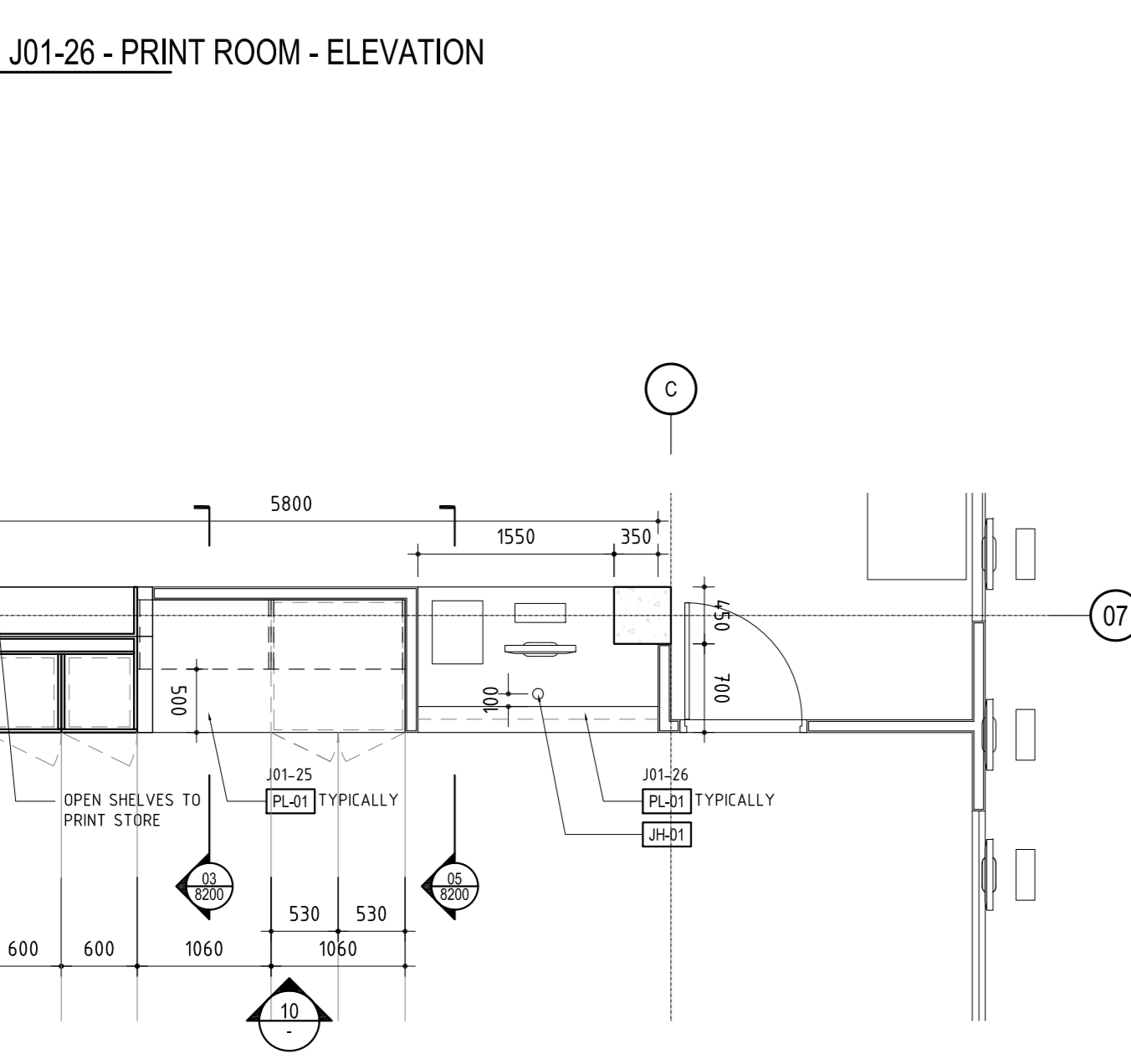
J04-23 - JOINERY PLAN SCALE 1:50



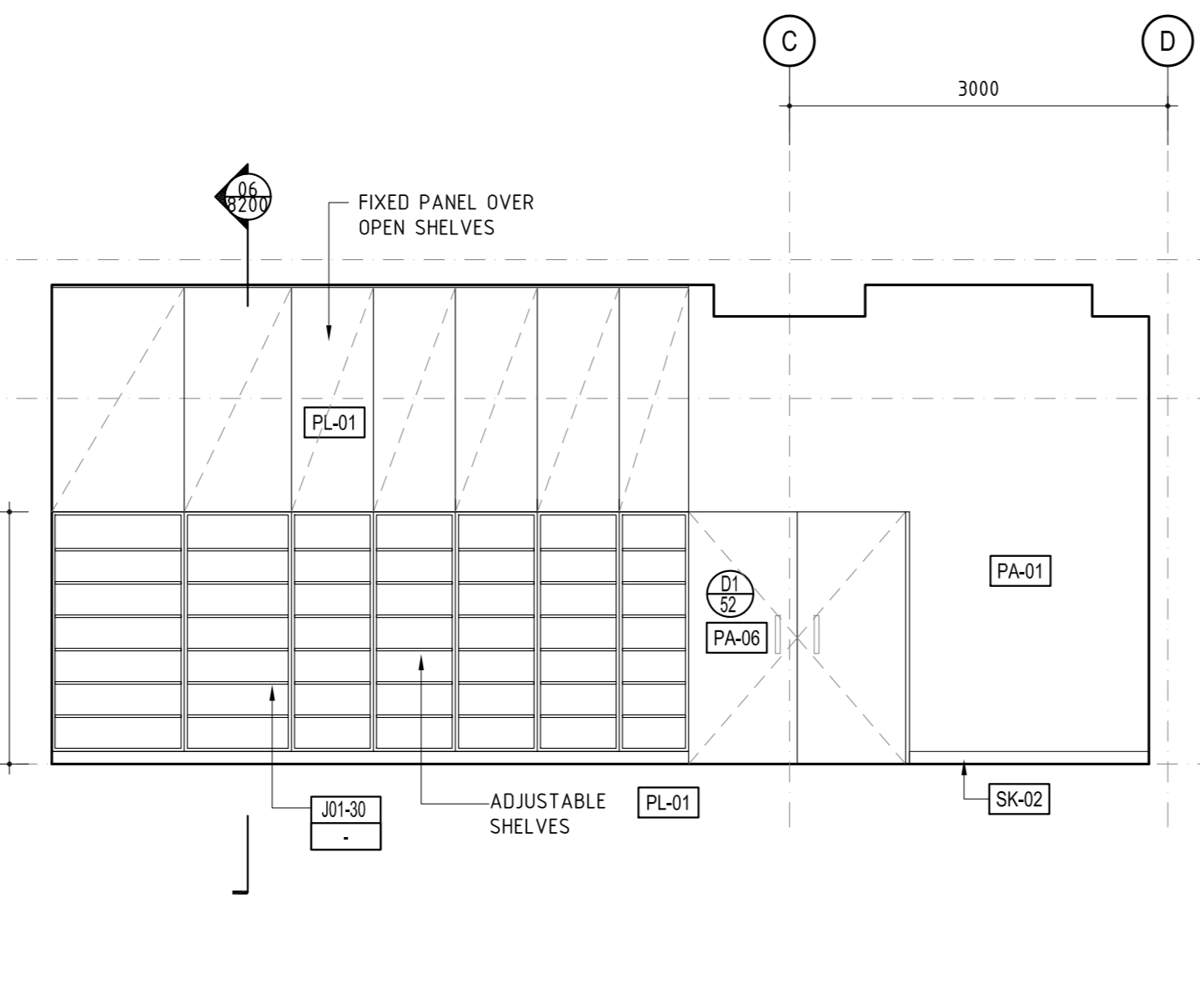
J04-23 - JOINERY PLAN SCALE 1:50



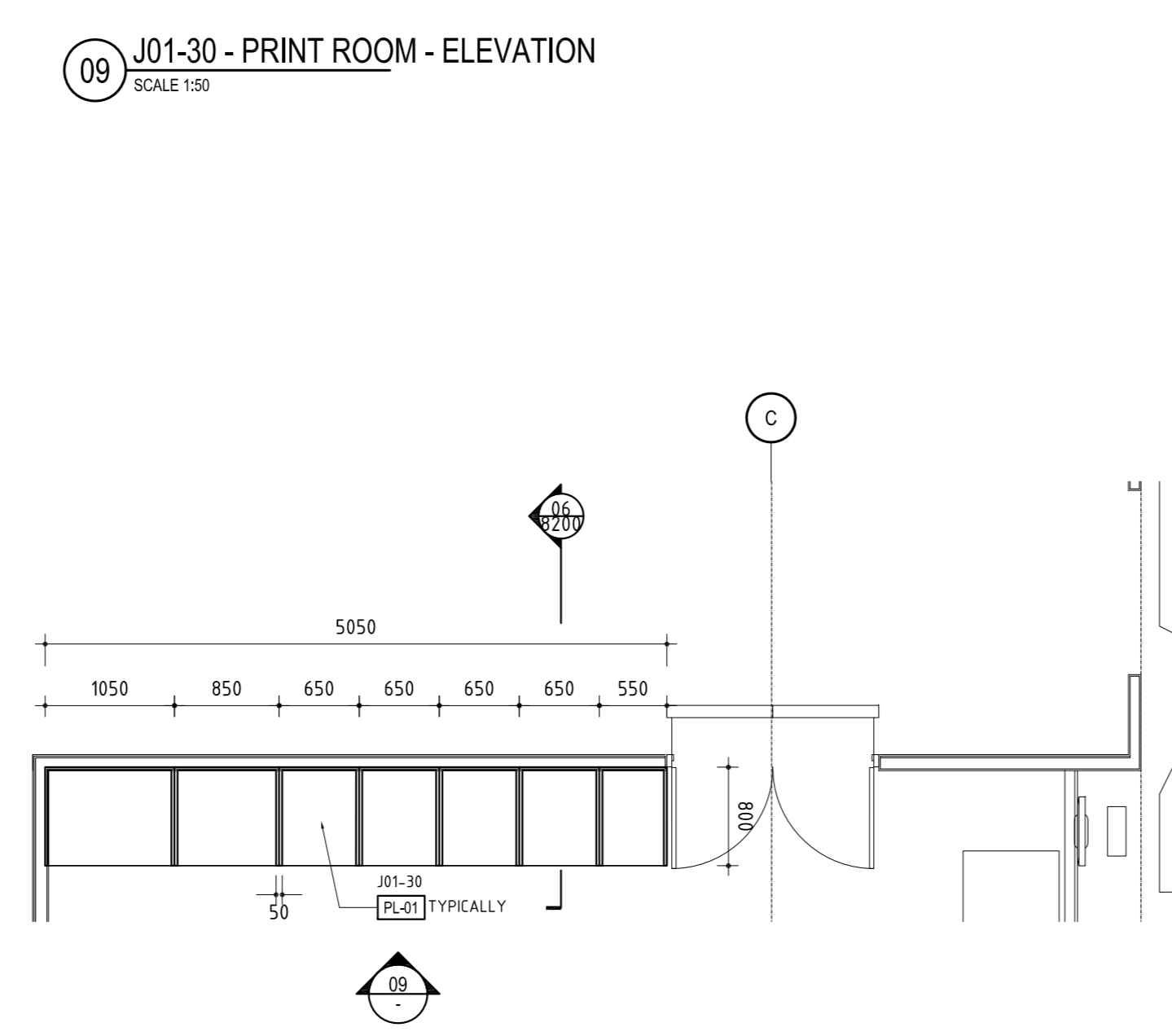
J01-25, J01-26 - PRINT ROOM - ELEVATION SCALE 1:50



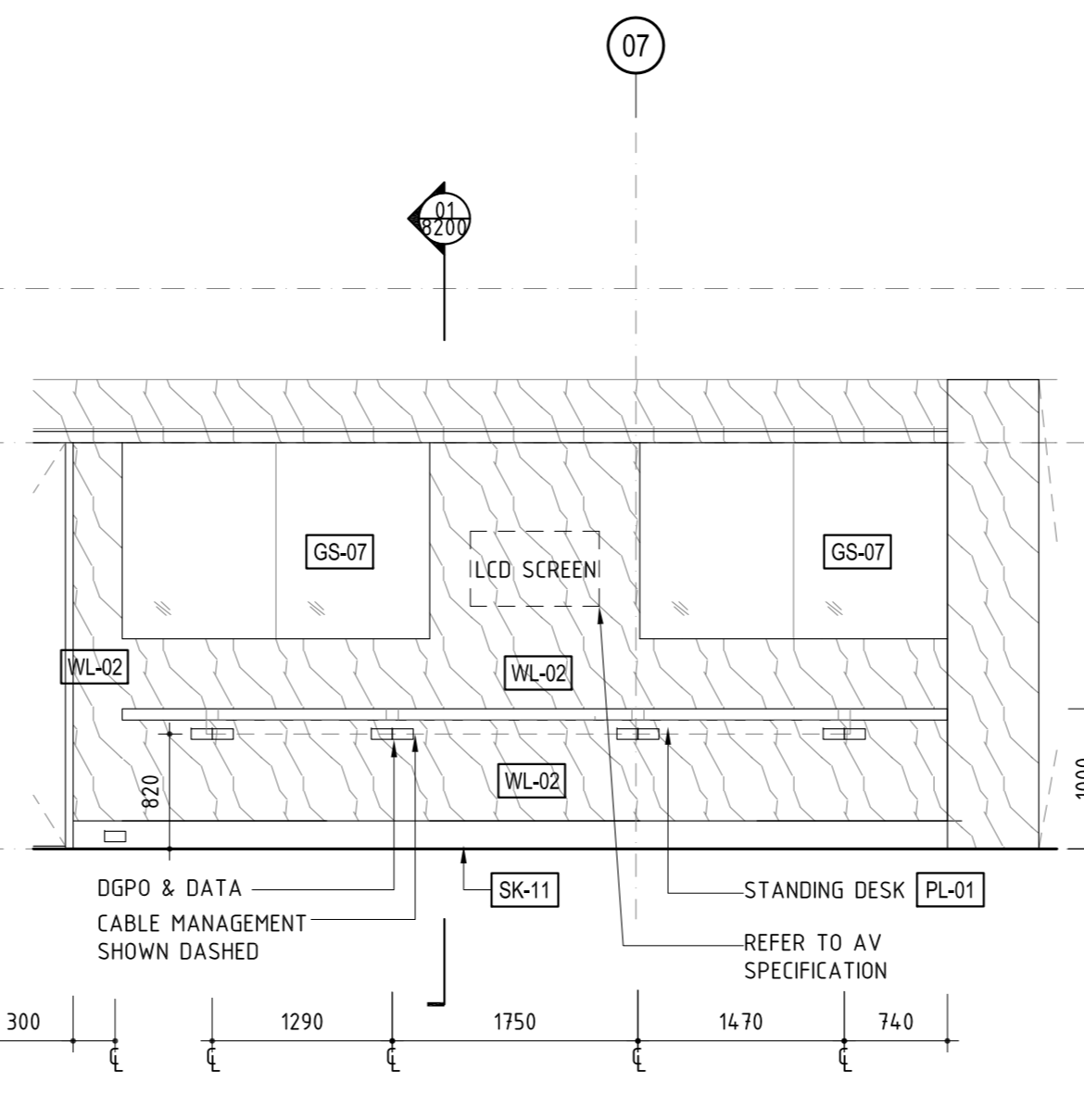
J01-25, J01-26 - PRINT ROOM - PLAN SCALE 1:50



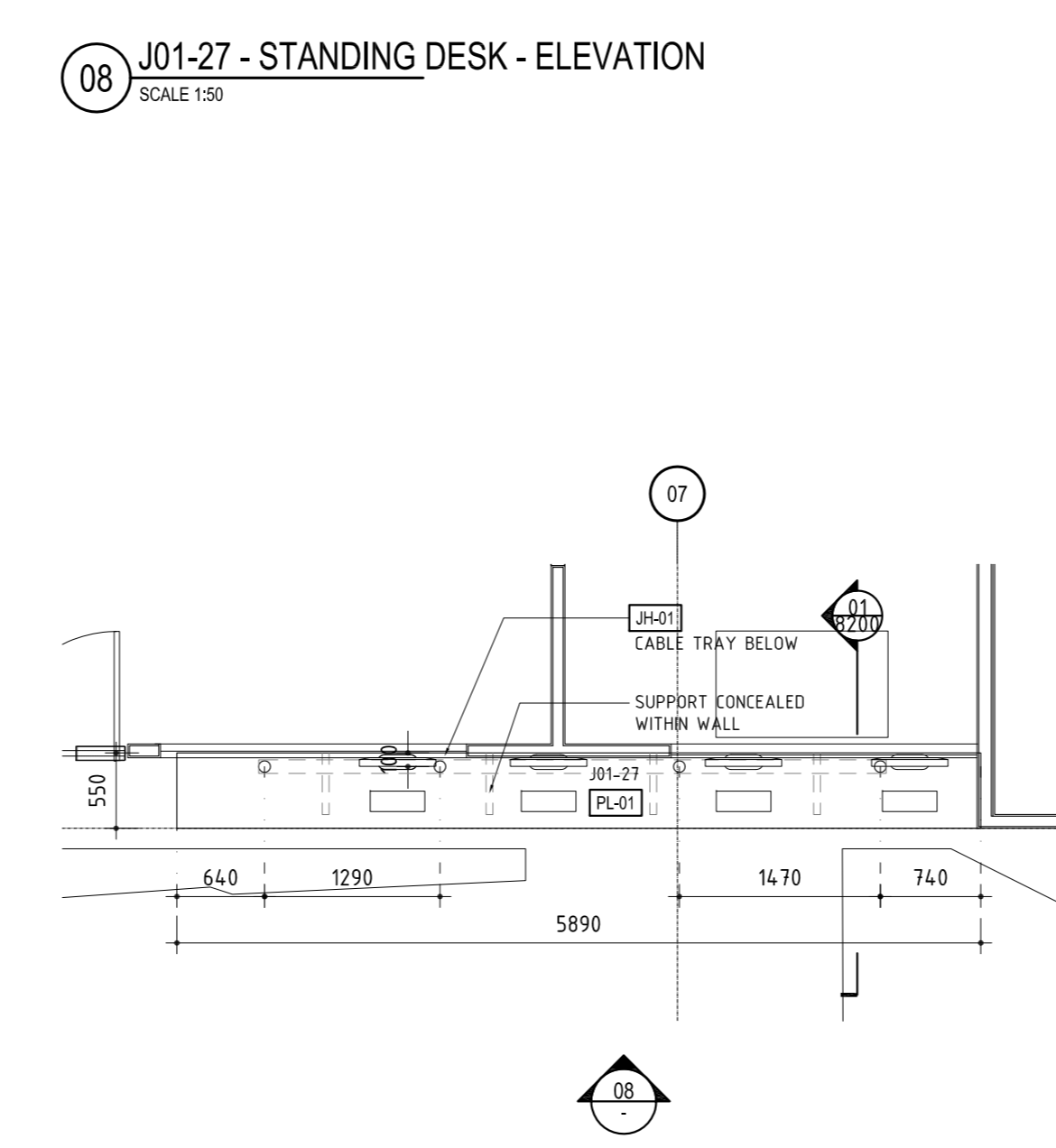
J01-30 - PRINT ROOM - ELEVATION SCALE 1:50



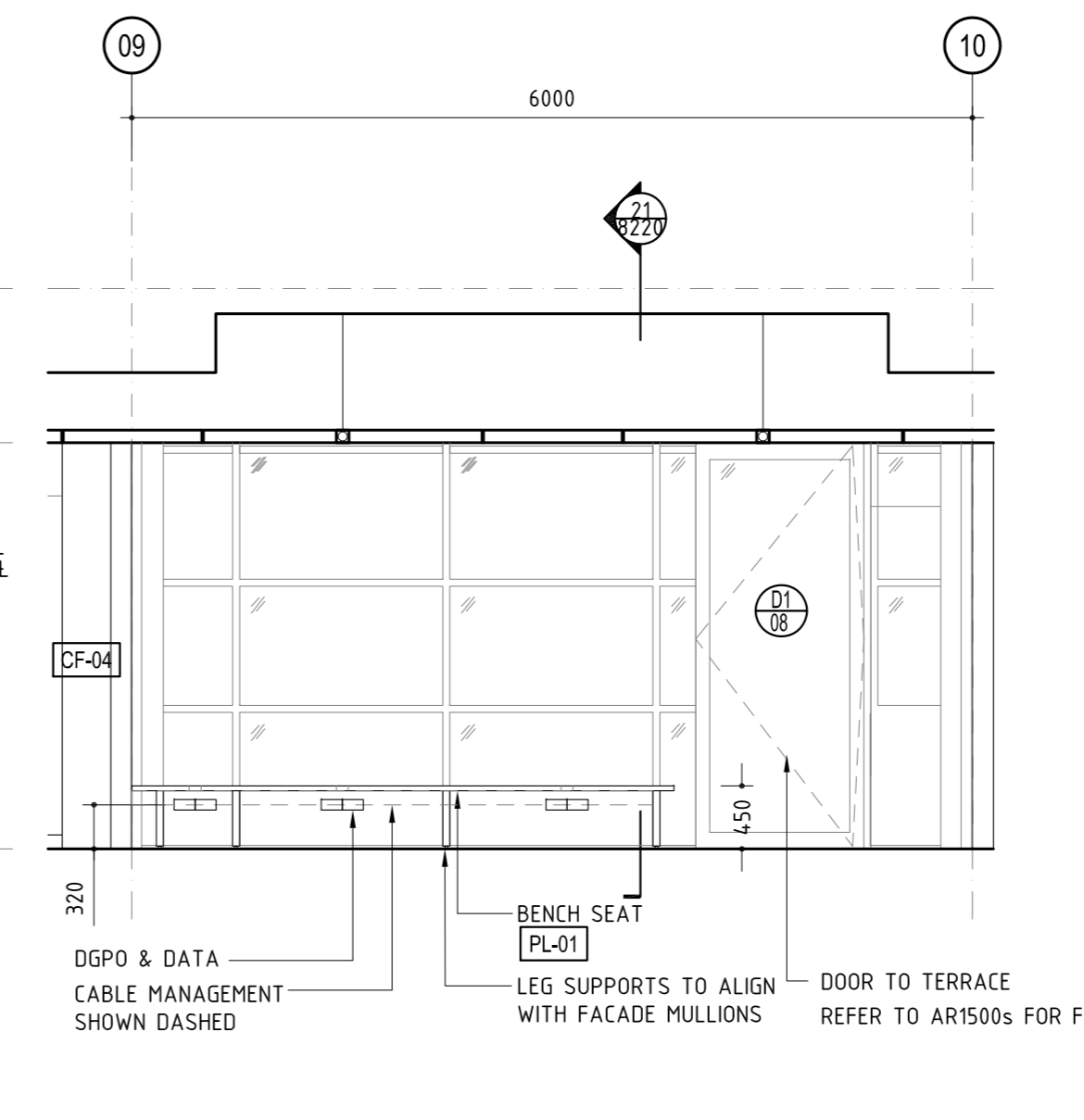
J01-30 - PRINT ROOM - PLAN SCALE 1:50



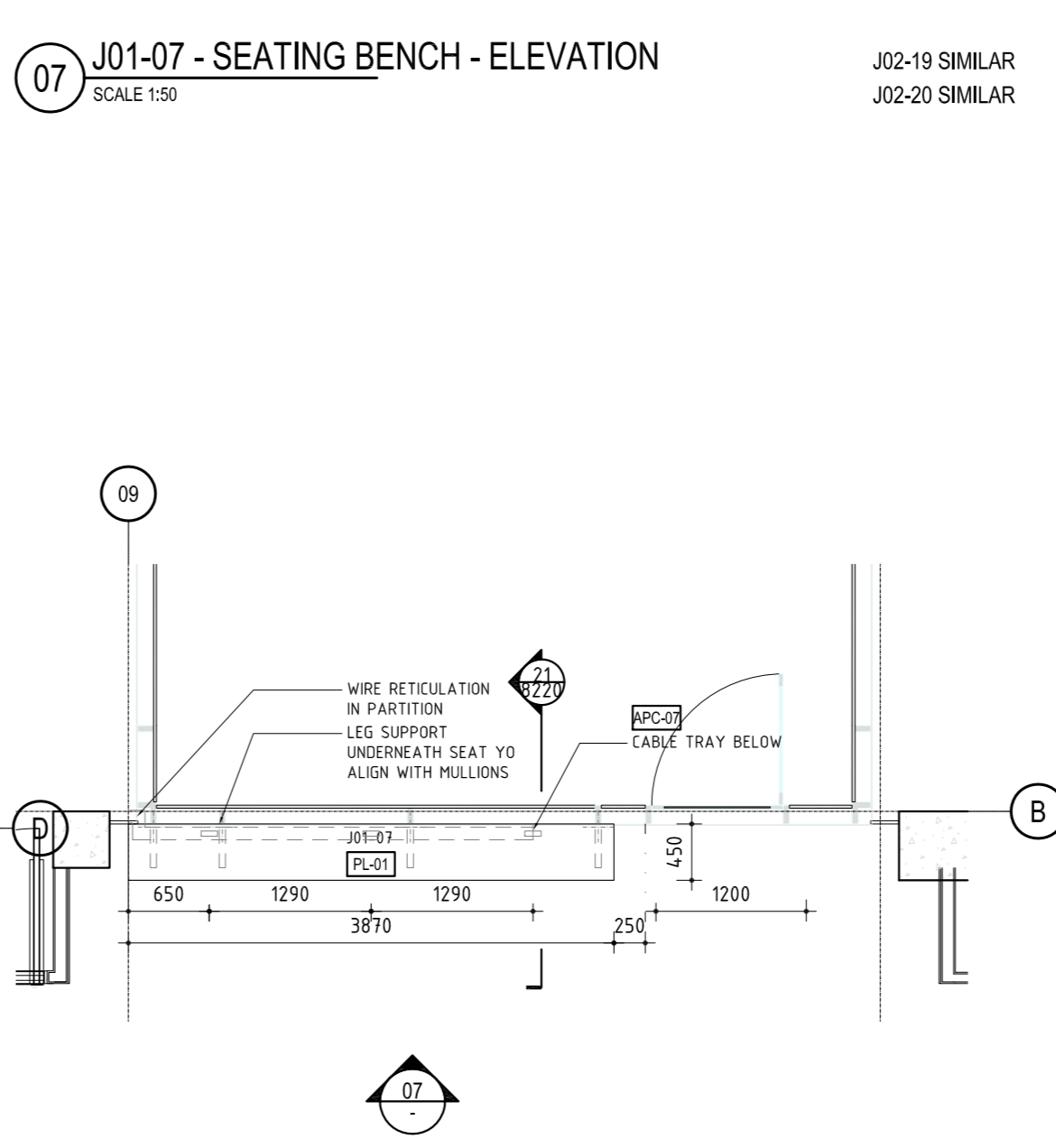
J01-27 - STANDING DESK - ELEVATION SCALE 1:50



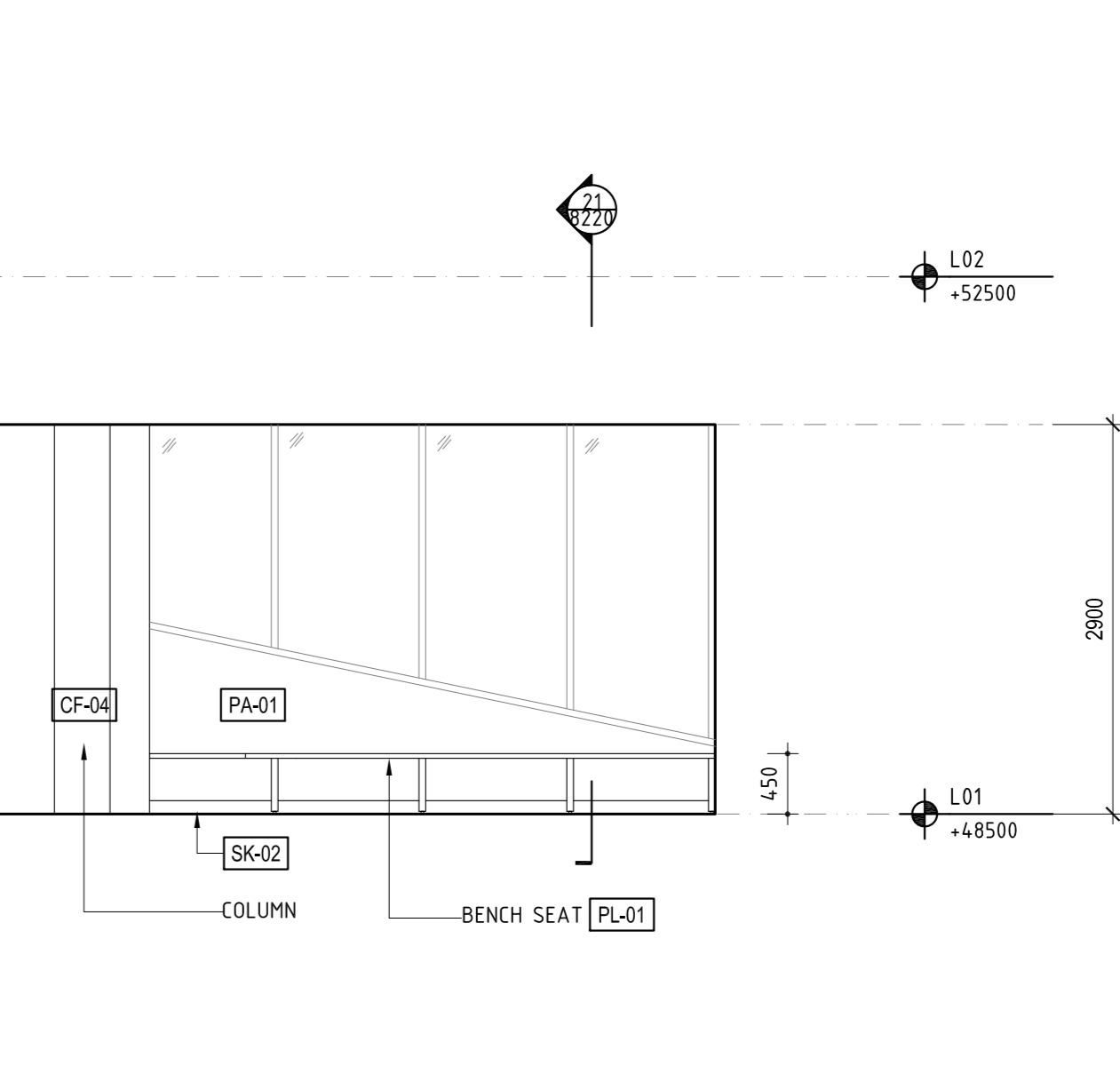
J01-27 - STANDING DESK - PLAN SCALE 1:50



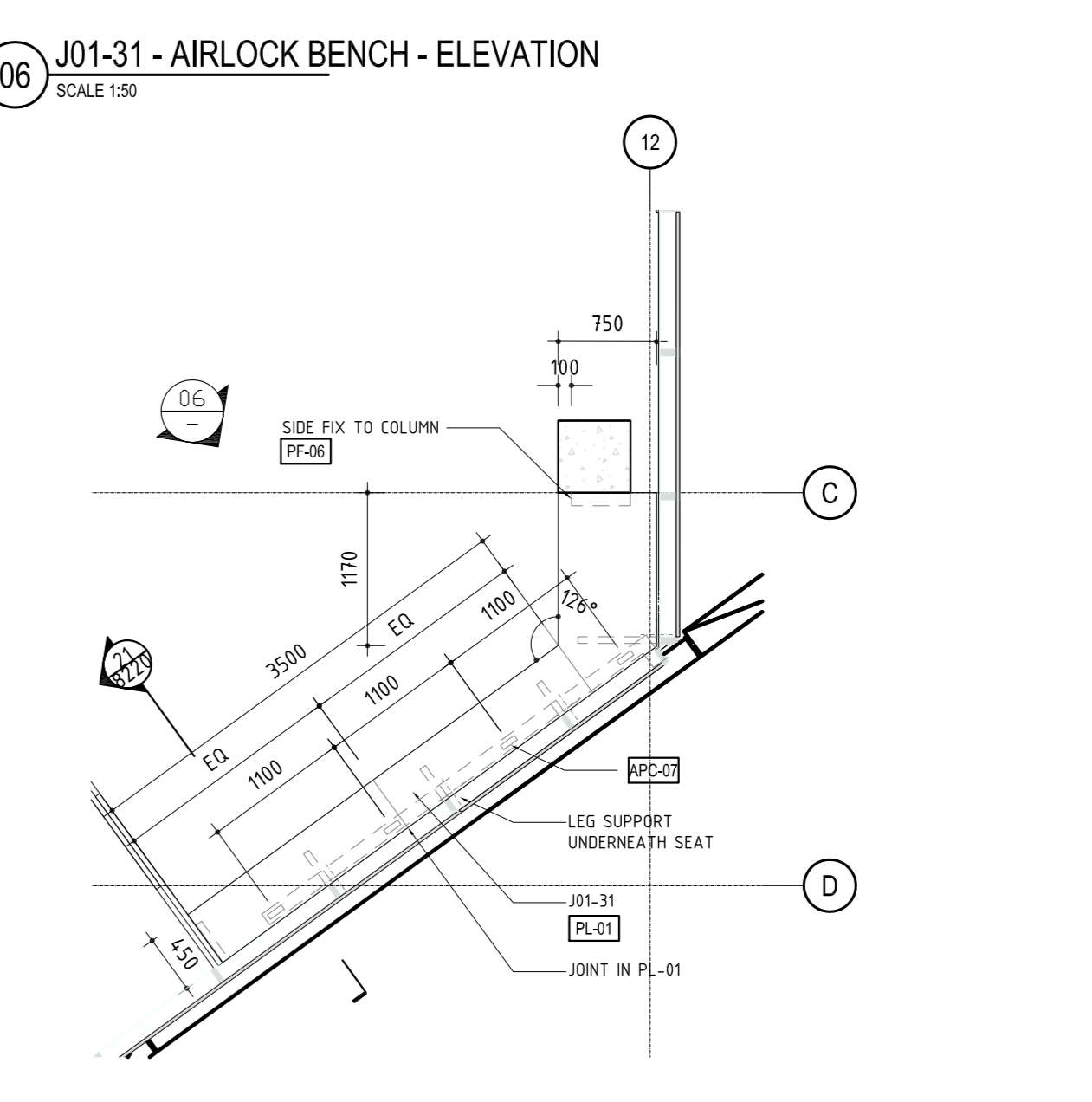
J01-07 - SEATING BENCH - ELEVATION SCALE 1:50



J01-07 - SEATING BENCH - PLAN SCALE 1:50



J01-31 - AIRLOCK BENCH - ELEVATION SCALE 1:50



J01-31 - AIRLOCK BENCH - PLAN SCALE 1:50